

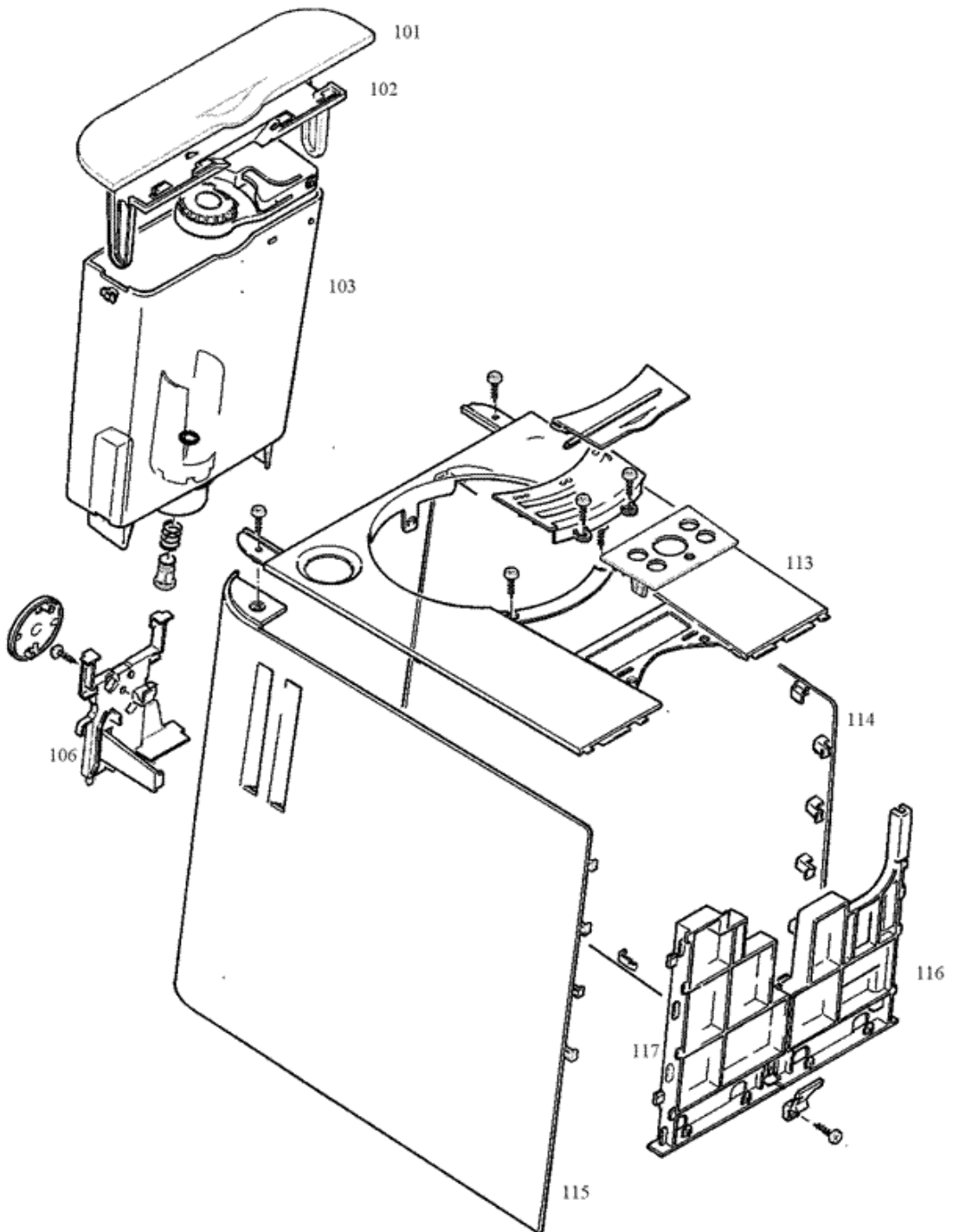
The recycling passport is valid for the following articles:

- 13499 ENA 7 ristretto black CH [SEV]
- 13500 ENA 7 ristretto black EU VG [SCHUKO]
- 13521 ENA 7 blossom white CH [SEV]
- 13522 ENA 7 coffee cherry red CH [SEV]
- 13523 ENA 7 blossom white EU VG [SCHUKO]
- 13524 ENA 7 coffee cherry red EU VG [SCHUKO]
- 13543 ENA 8 ristretto black FUST [SEV]

The Variant designations mean:

(1) Case components and water tank

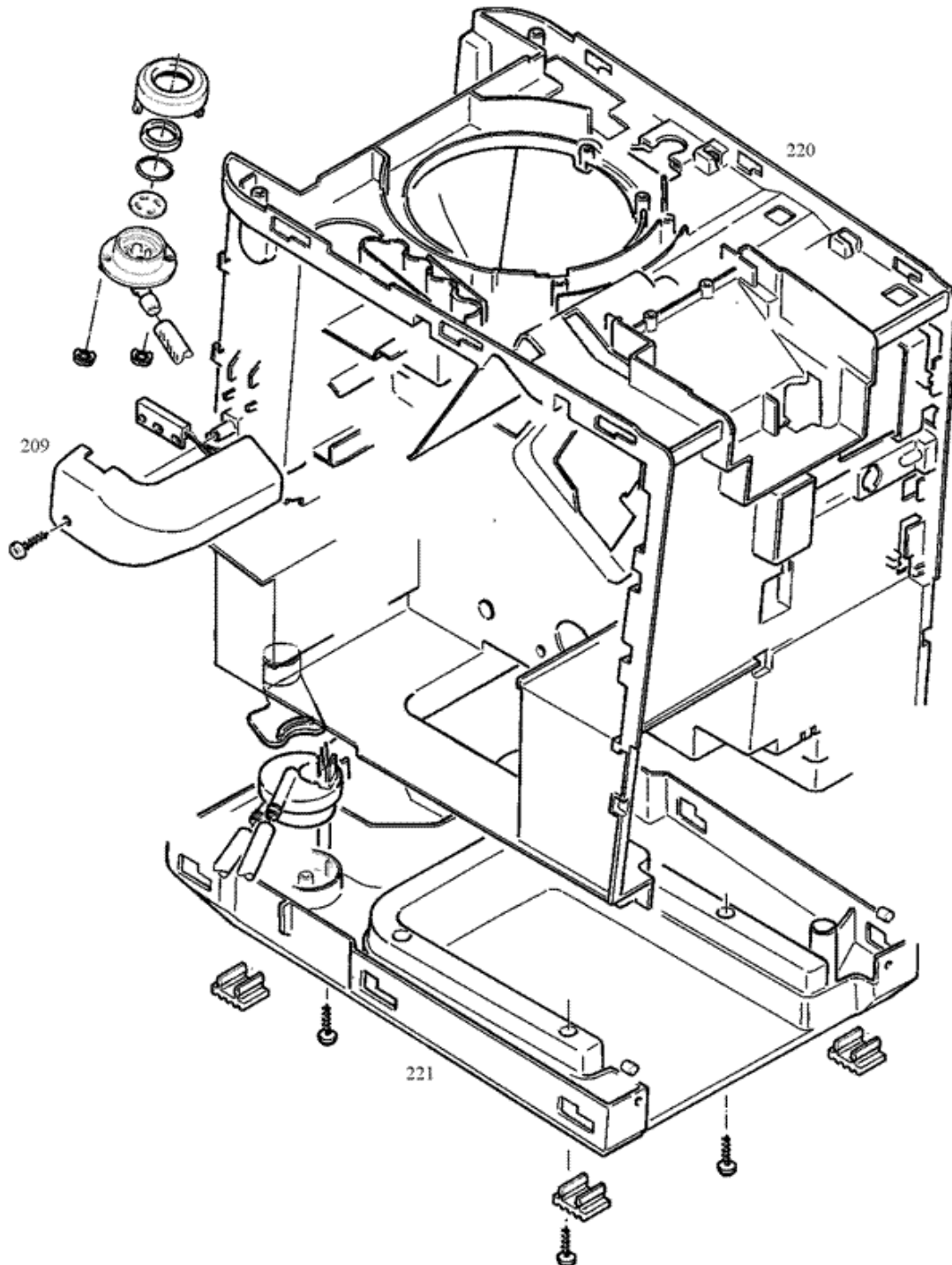
S13521_01



Pos	Designation	Material	Disassembly	Disposal	Variation	Return
0101	Tank lid platinum	ABS				
0102	Watertank handle	ABS				
0103	Watertank BLUE	Plastic				
0106	Bolt back grey	ABS				
0113	Housing lid platinum	ABS				
0114	Right side section white	ASA				
0115	Left side section white	ASA				
0116	Bolt right grey	ABS				
0117	Bolt left grey	ABS				

(2) Case components

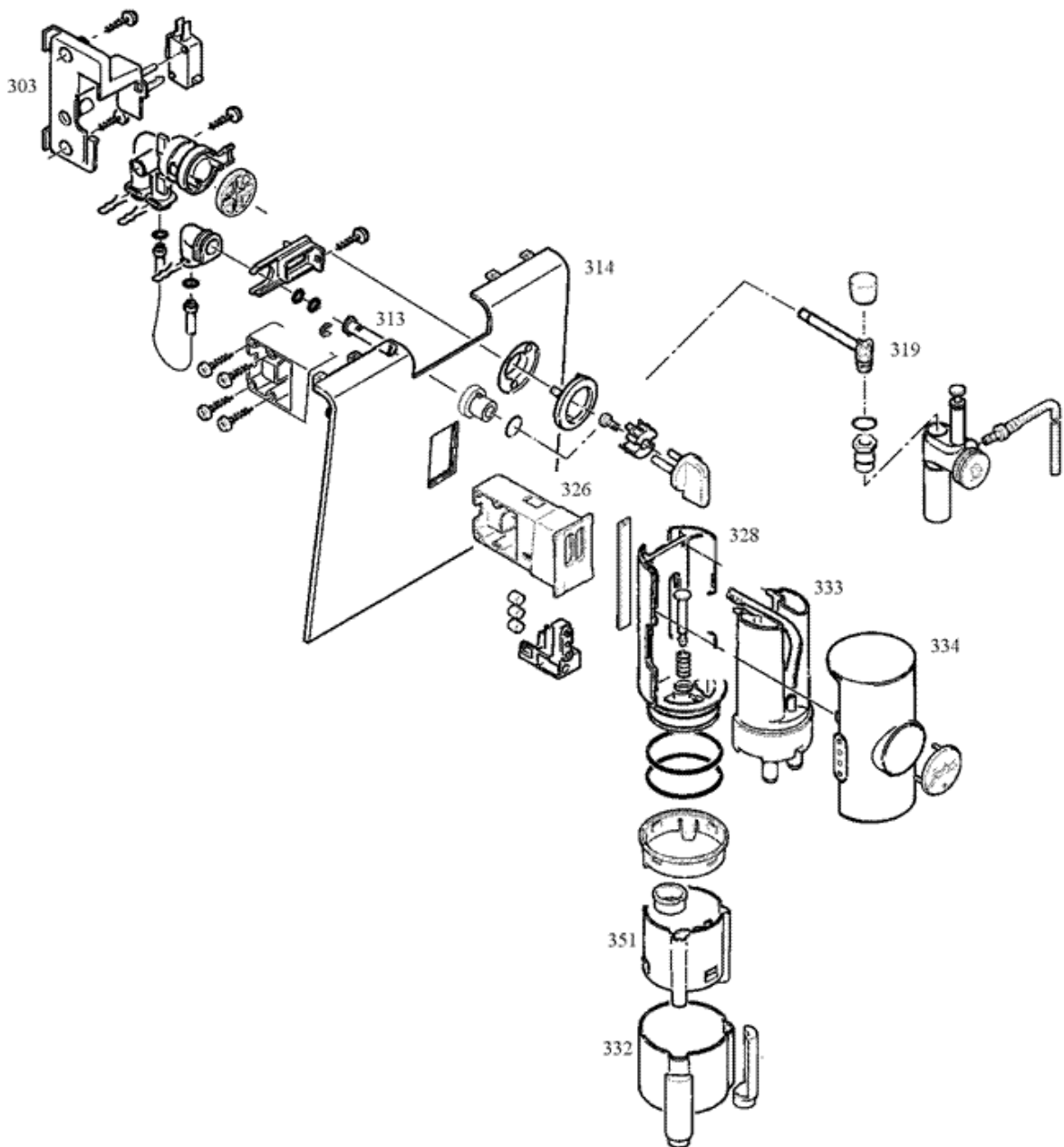
S13521_02



Pos	Designation	Material	Disassembly	Disposal	Variation	Return
0209	Reed sensor support	ABS				
0220	Components support ENA above	ABS				
0221	Components support ENA bottom	ABS				

(3) Front cover

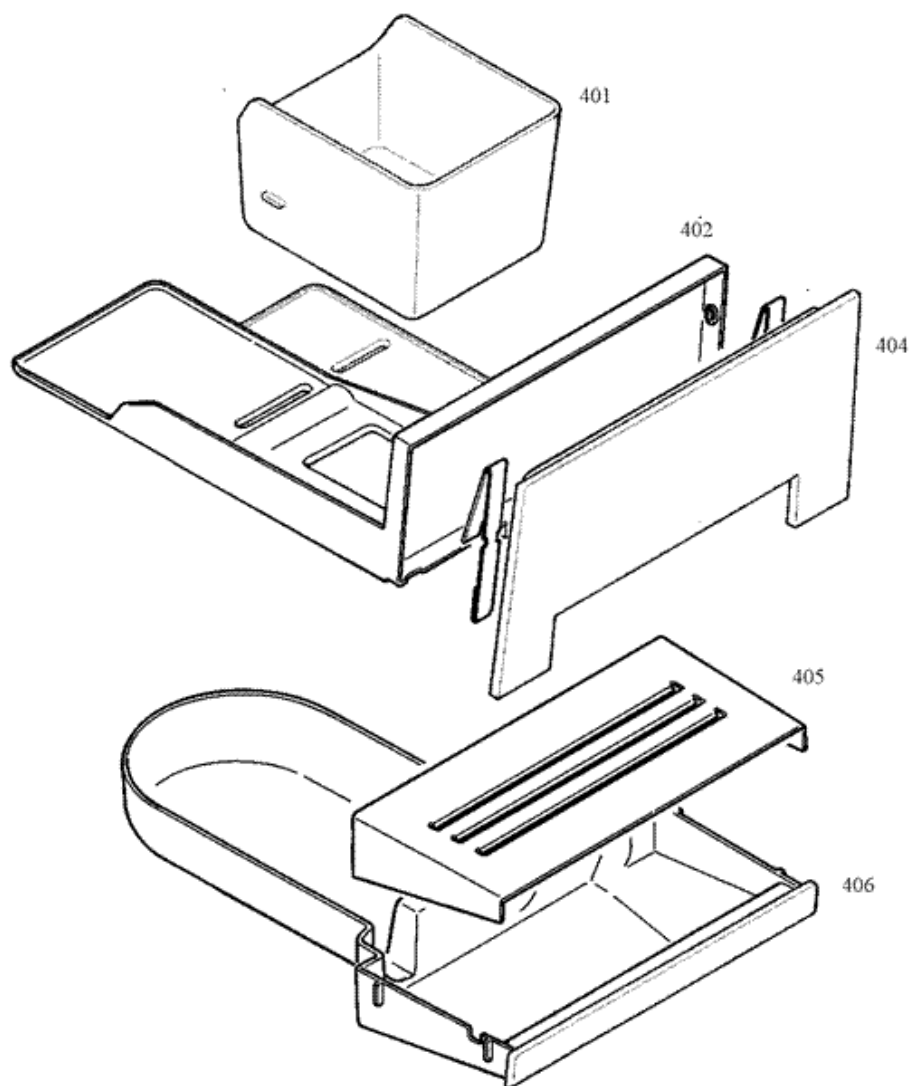
S13521_03



Pos	Designation	Material	Disassembly	Disposal	Variation	Return
0303	Magnetic valve support	ABS				
0313	Discharge pipe	Messing				
0314	Front cover platinum	ABS				
0319	Discharge pipe connection	PA				
0326	Guide for outlet gate V2	PA				
0328	Box for outlet gate V2	ABS / NBR			X	
0328	Box for outlet gate V2	ABS			X	
0332	Outlet gate front chromium V3	ABS			X	
0332	Outlet gate front platinum V3	ABS			X	
0333	Dispenser	ABS				
0334	Lid for outlet gate	ABS			X	
0334	Lid for outlet gate	ABS			X	
0351	Dispenser black	POM				

(4) Pan

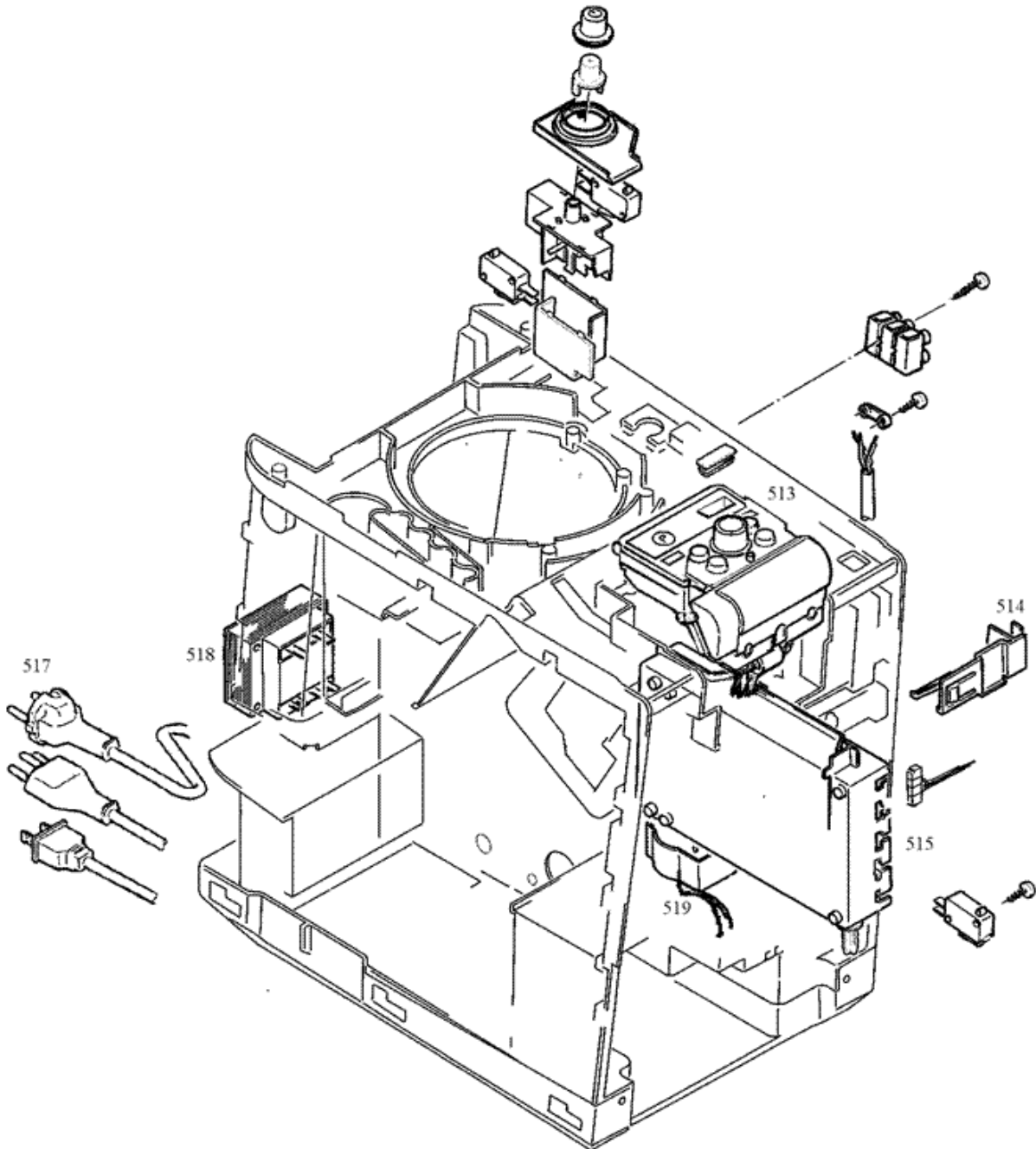
S13521_04



Pos	Designation	Material	Disassembly	Disposal	Variation	Return
0401	Used ground container black	ABS				
0402	Used ground pan grey	ABS				
0404	Used ground pan shield	ABS				
0405	cup grille inox ENA	High-grade steel				
0406	Drain pan grey	ABS				

(5) Printed power circuit and logic

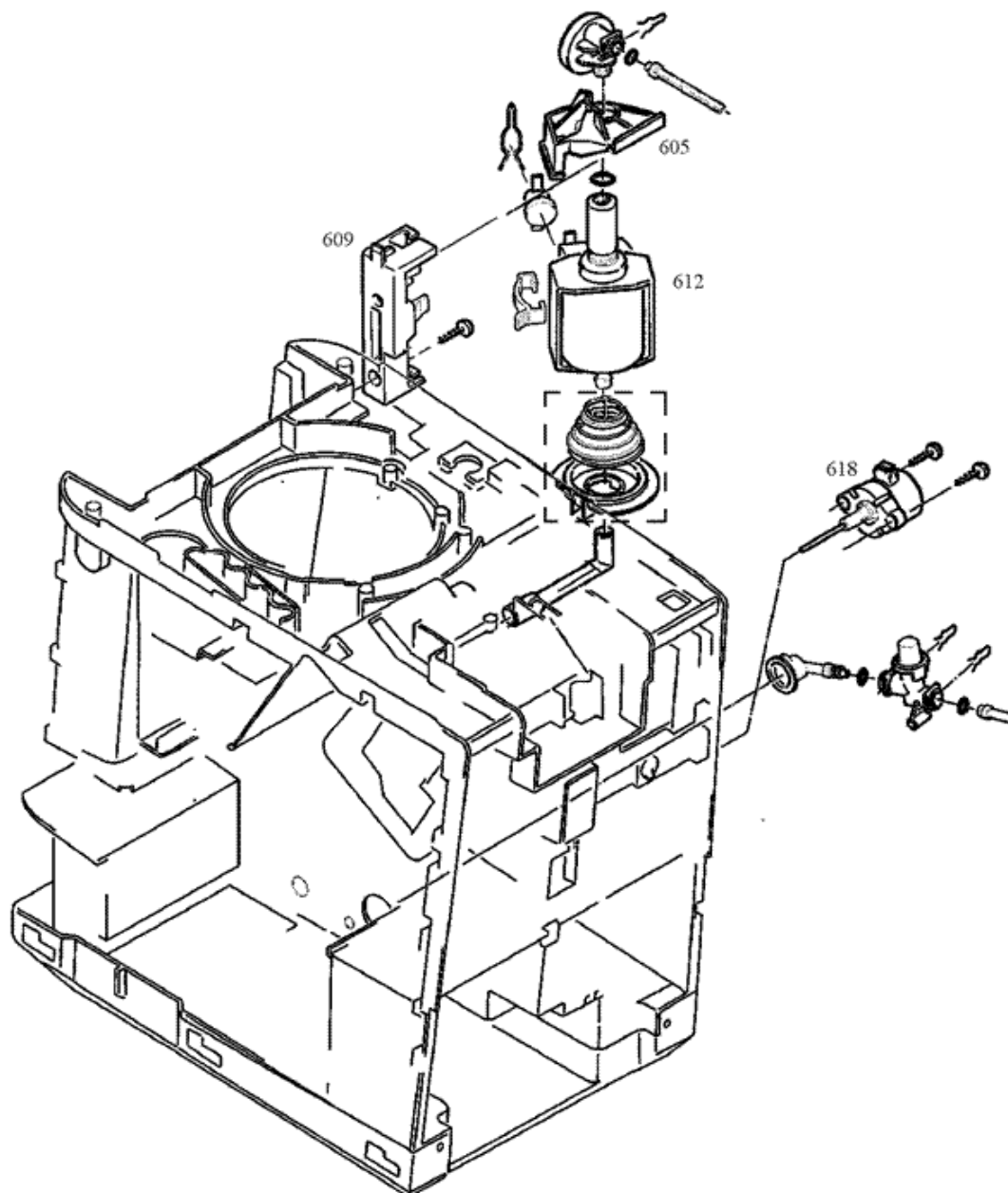
S13521_05



Pos	Designation	Material	Disassembly	Disposal	Variation	Return
0513	Rotarybox cpl.	Electronic				
0514	Bracket	ABS				
0515	Electronic box assembled	Electronic				
0517	Incoming feeder sw RoHS	Copper / Gum				
0518	Transformer 230V	Electro				
0519	Interference eliminator	Electro				

(6) Fluid system

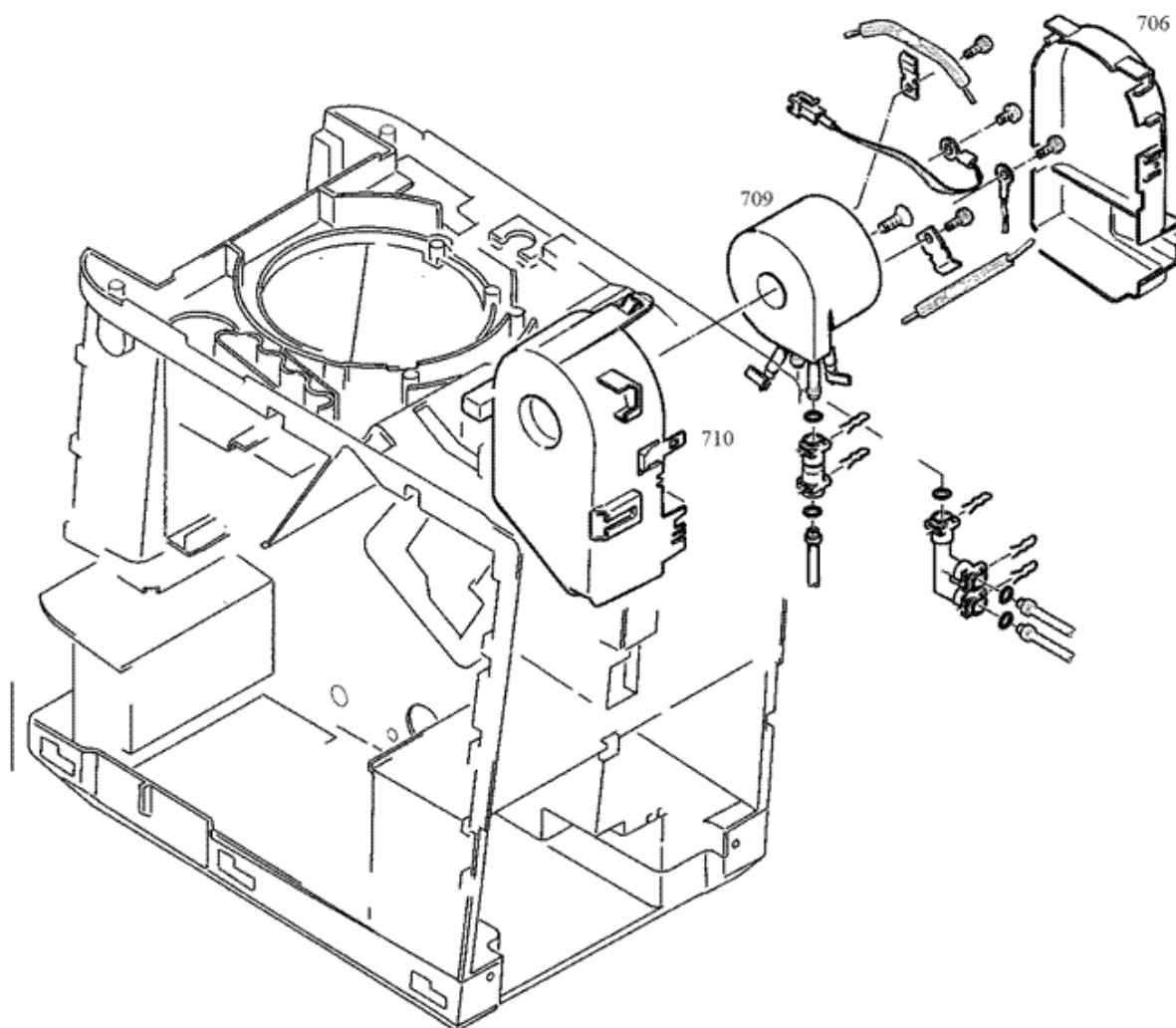
S13521_06



Pos	Designation	Material	Disassembly	Disposal	Variation	Return
0605	Pump carrier	NBR				
0609	Bracket	ABS				
0612	Pump cp3a/st 230v 50hz 65w	Electro				
0618	Drain motor	Electro				

(7) Heater

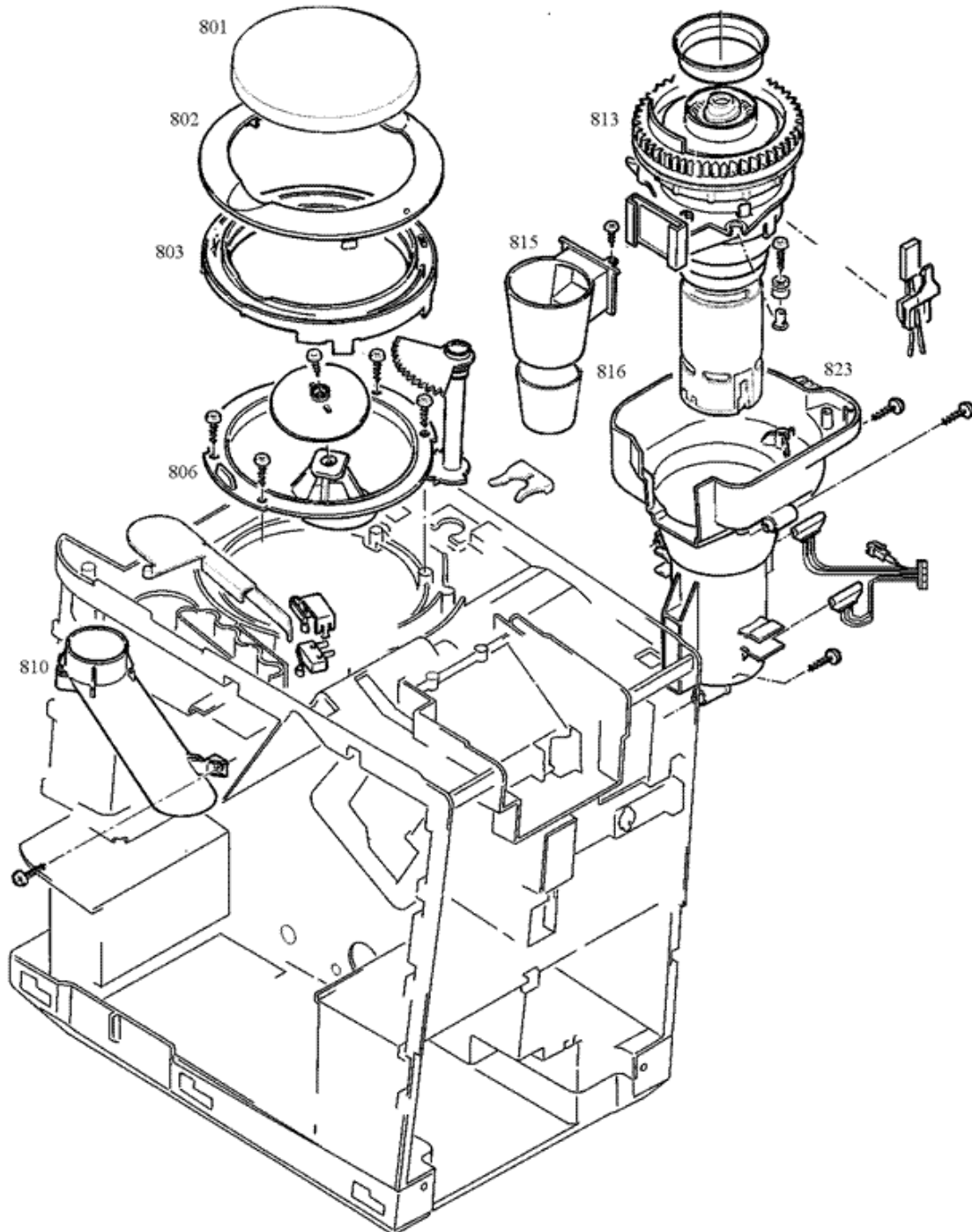
S13521_07



Pos	Designation	Material	Disassembly	Disposal	Variation	Return
0706	Lid TB2003 V2	PA				
0709	T-Block sold. nipp. 230V/1400W	AL / High-grade steel				
0710	Support TB2003 V3	PA				

(8) Grinder

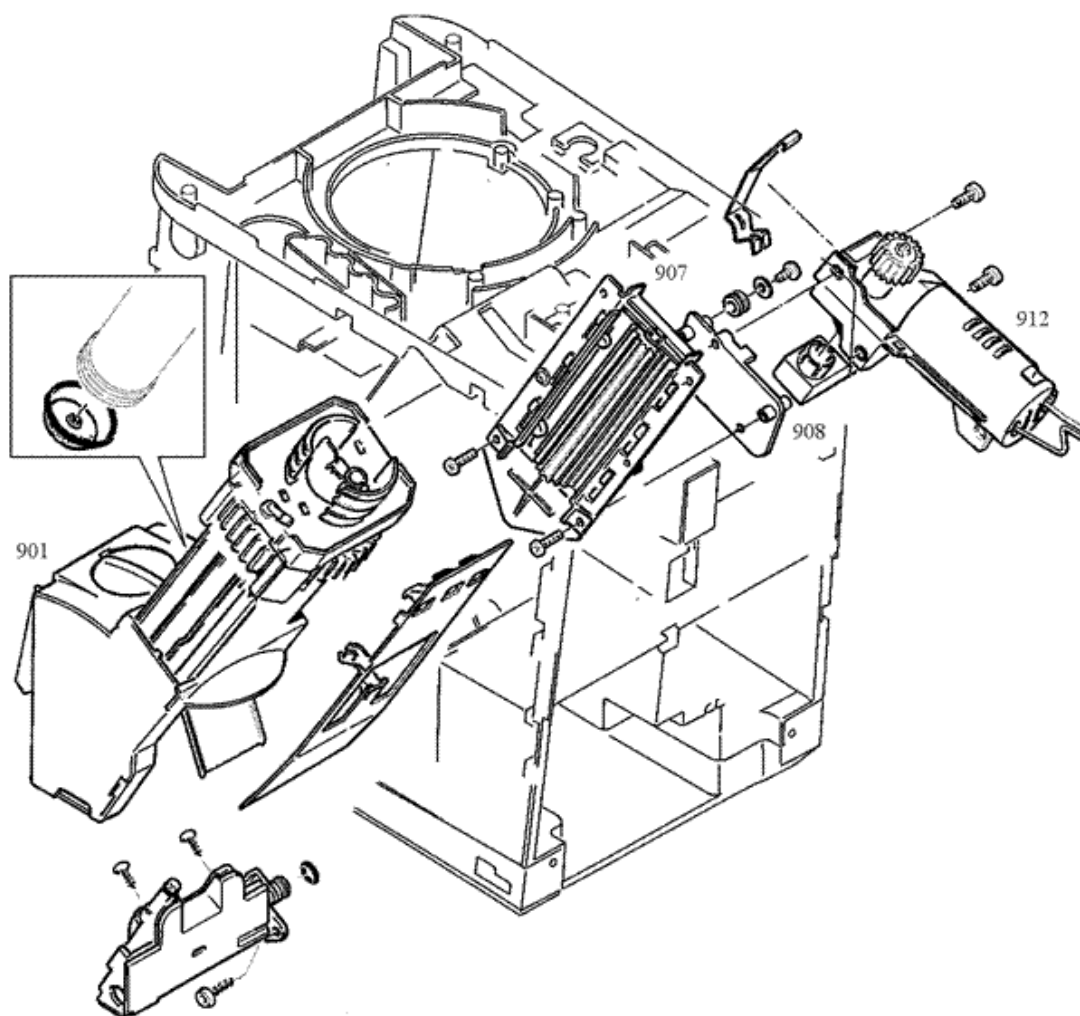
S13521_08



Pos	Designation	Material	Disassembly	Disposal	Variation	Return
0801	Bean container lid	SMMA / SAN				
0802	Adjustment ring	ABS				
0803	Suspension	PA				
0806	Bean container	PP				
0810	Powder funnel	ABS				
0813	Grinder unit 230V "choke"	Elektro / ABS / POM / PA / NBR / Steel / Messing				
0815	Funnel black V2	ABS				
0816	Funnel	PP				
0823	Grinder support	PC				

(9) Brew unit

S13521_09



Pos	Designation	Material	Disassembly	Disposal	Variation	Return
0901	Brew unit assembled	PA / POM / NBR / Silicone / Steel				
0907	Guide assembled quiet	AL / POM				
0908	Plate	AL				
0912	Geared motor	Electro / Messing / POM				