

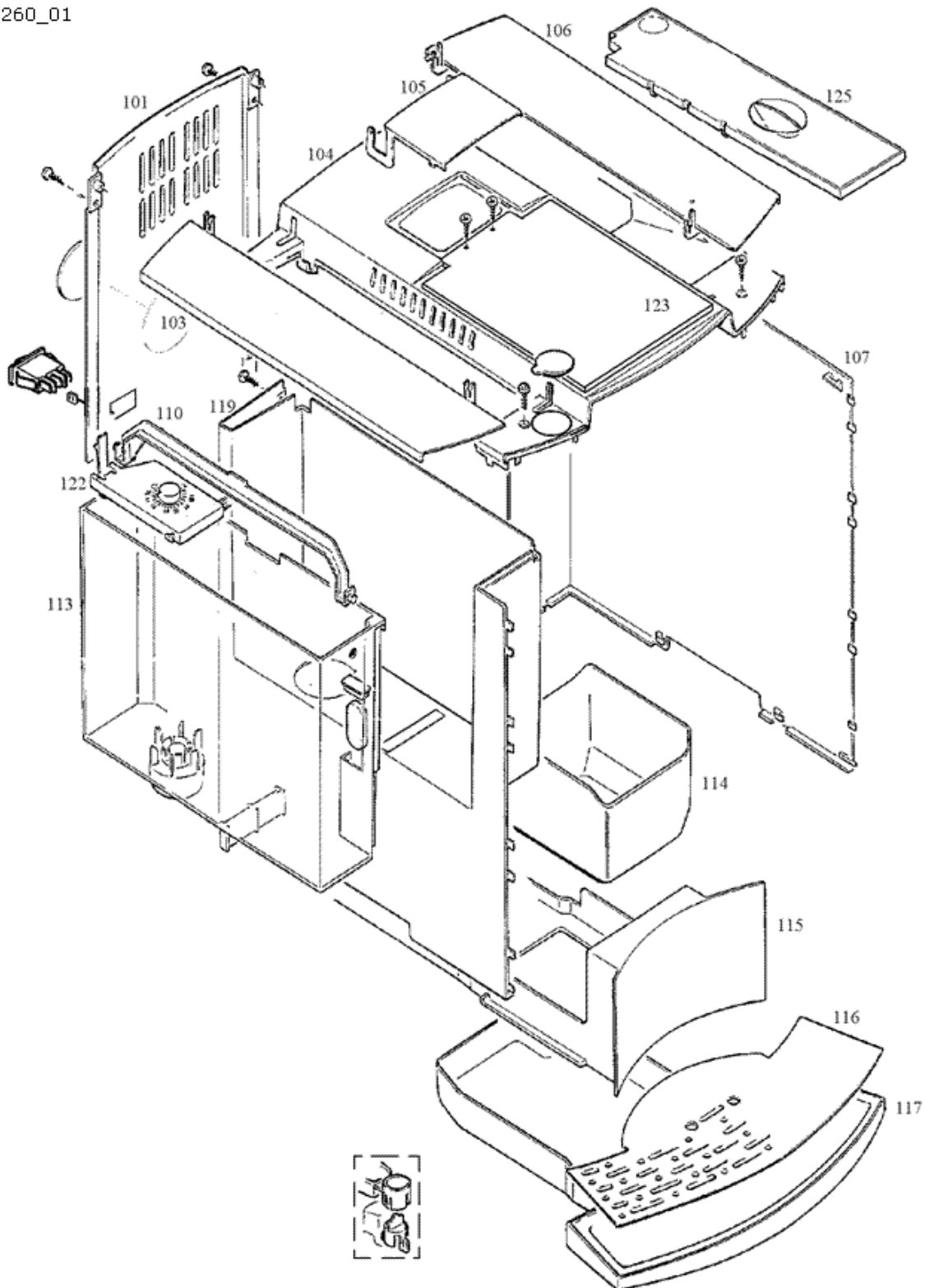
The recycling passport is valid for the following articles:

| | |
|-------|------------------------------------|
| 13111 | Impresa F90 alu mat (CH) |
| 13112 | Impresa F90 alu mat (EU) |
| 13155 | Impresa F90 ice blue (CH) |
| 13156 | Impresa F90 ice blue (EU) |
| 13157 | Impresa F9 chromium plated (CH) |
| 13158 | Impresa F9 chromium plated (EU) |
| 13171 | Impresa F9 chromium plated (UL) |
| 13188 | Impresa F9 chromium plated (UL/JC) |
| 13212 | Impresa F9 gold (LE/JC) |
| 13231 | Impresa F90 alu mat (EU) |
| 13232 | Impresa F9 chromium plated (EU) |
| 13249 | Impresa F95 steel (CH) |
| 13250 | Impresa F95 steel (EU) |
| 13256 | Impresa F90 alu mat (CH) |
| 13258 | Impresa F9 chromium plated (CH) |
| 13260 | Impresa F9 pia.black/chromium (EU) |
| 13268 | Impresa F9 pia.black/chromium (CH) |
| 13978 | Impresa F90 alu mat (UK) |

The Variant designations mean:

(1) Case components and water tank

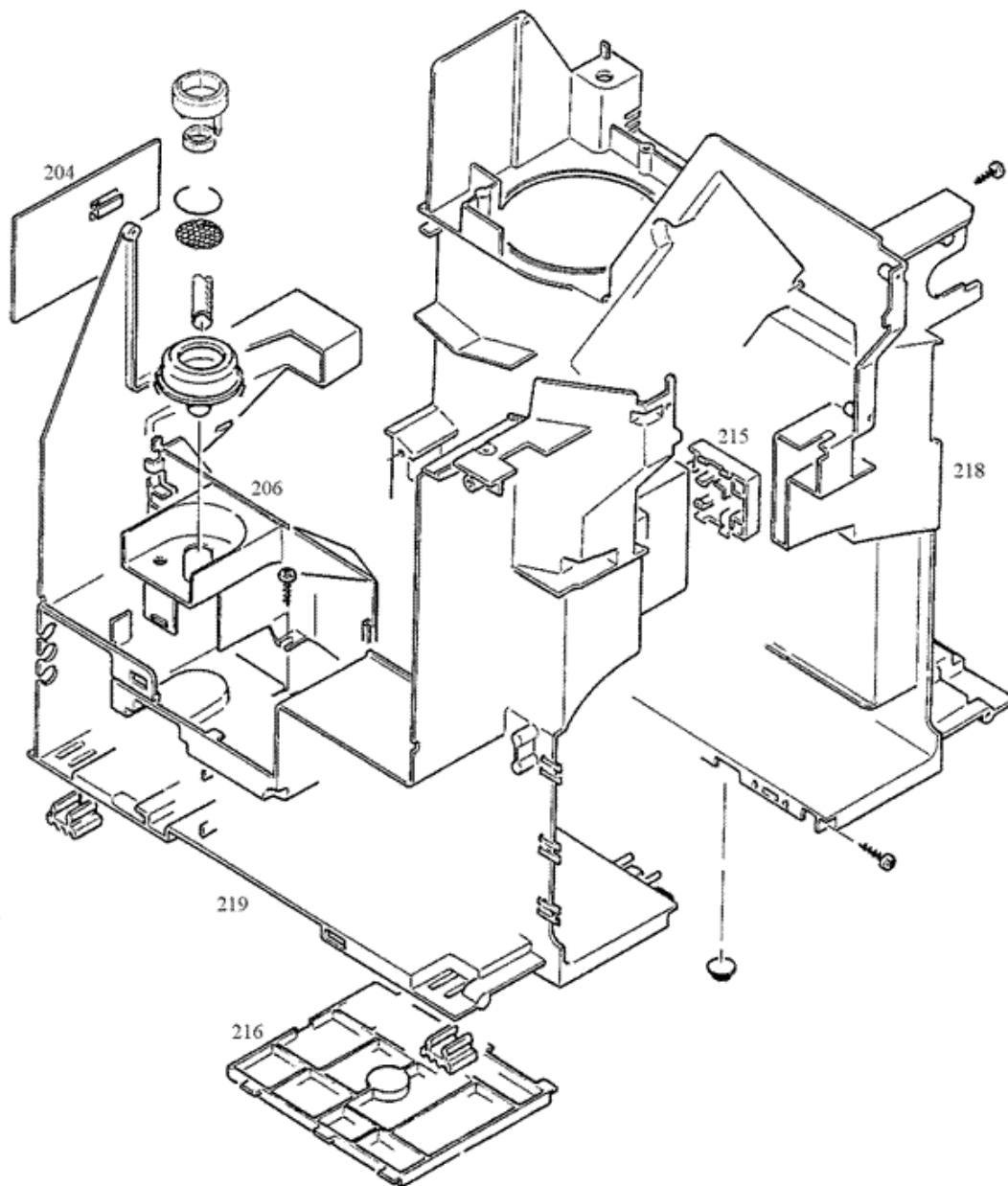
S13260_01



| Pos | Designation | Material | Disassembly | Disposal | Variation | Return |
|------|-----------------------------|------------------|-------------|----------|-----------|--------|
| 0101 | Back black | Plastic | | | | |
| 0103 | Tank lid black | ABS | | | | |
| 0104 | Cover housing black | Plastic | | | | |
| 0105 | Powder funnel lid black | Plastic | | | | |
| 0106 | Bean container lid black | ABS | | | | |
| 0107 | Right side section black | ABS | | | | |
| 0110 | Handle watertank black | PA | | | | |
| 0113 | Watertank with bracket cpl. | Plastic | | | | |
| 0114 | Used ground container black | ABS | | | | |
| 0115 | Used ground pan black | ABS | | | | |
| 0116 | cup platform inox F-line | High-grade steel | | | x | |
| 0116 | Drain cover, gold | Metal / Gold | | | x | |
| 0117 | Drain pan neutral black | ABS | | | | |
| 0119 | Left side section black | Plastic | | | | |
| 0122 | Bracket Claris | Plastic | | | | |
| 0123 | Cup support inox | High-grade steel | | | | |
| 0125 | Lid to preserve aroma | SAN | | | | |

(2) Case components

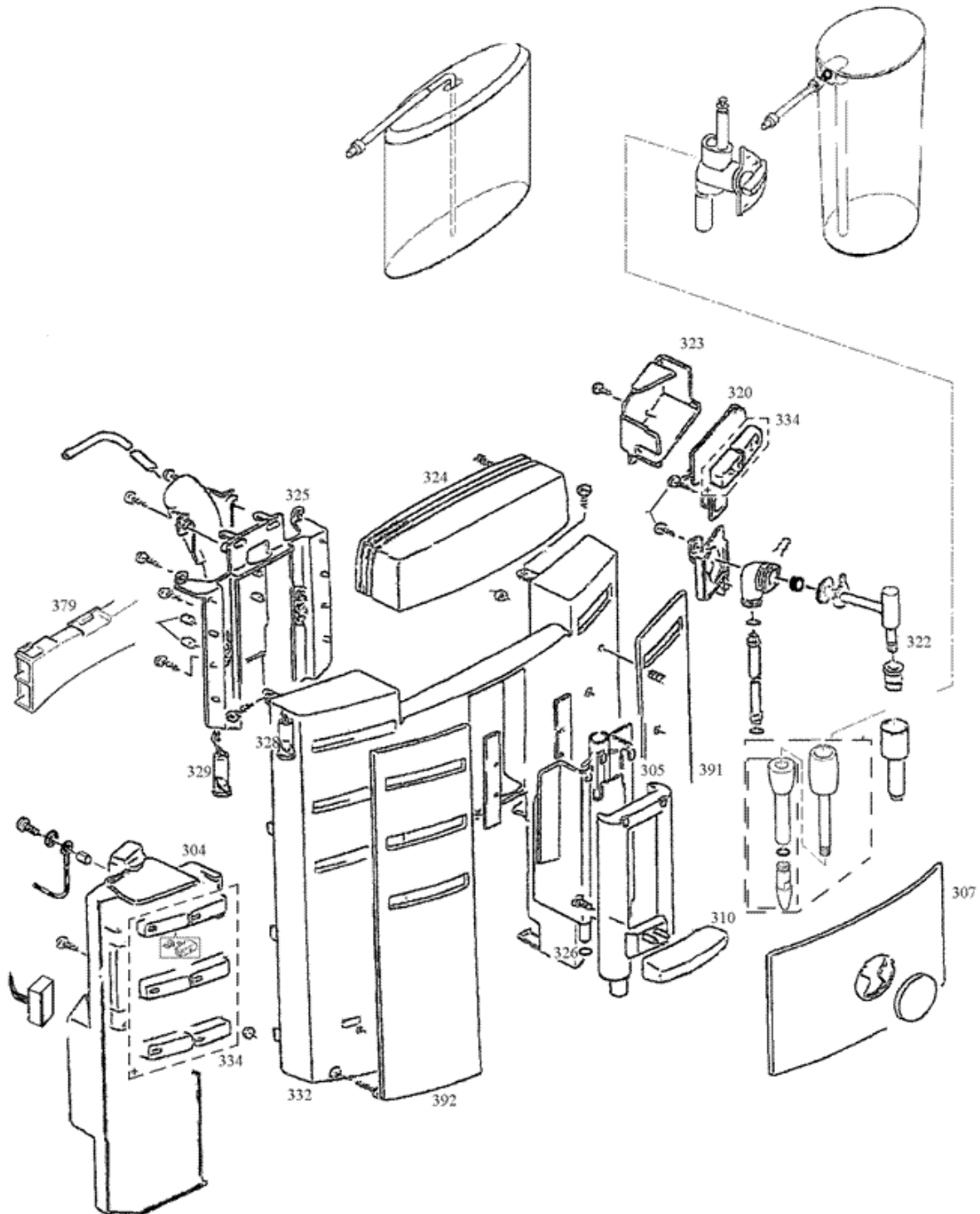
S13260_02



| Pos | Designation | Material | Disassembly | Disposal | Variation | Return |
|------|-------------------------------|----------|-------------|----------|-----------|--------|
| 0204 | Funnel plate black | PP | | | | |
| 0206 | Valve carrier black | ABS | | | | |
| 0215 | Reed contact support | PP | | | | |
| 0216 | Cover cable case | Plastic | | | | |
| 0218 | Komponententräger rechts sw | ABS | | | | |
| 0219 | Komponententräger links V2 sw | ABS | | | | |

(3) Front cover

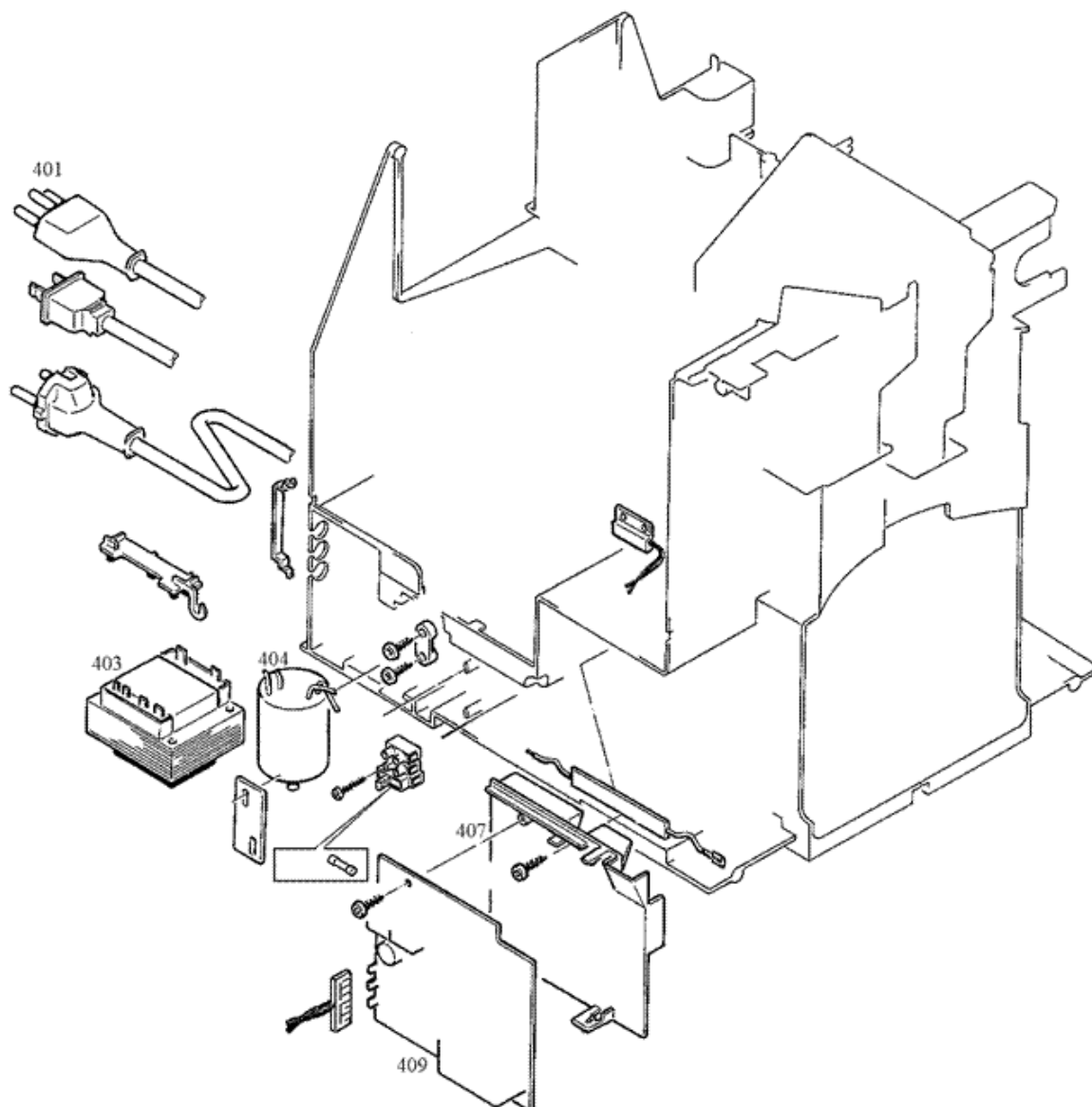
S13260_03



| Pos | Designation | Material | Disassembly | Disposal | Variation | Return |
|------|----------------------------------|--------------------------------|-------------|----------|-----------|--------|
| 0304 | Electronic 230 V V3 RoHS | Electronic | | | | |
| 0305 | Outlet gate black | ABS | | | | |
| 0307 | Cover alu | AL / Gold | | | X | |
| 0307 | Front cover steel | Metal | | | X | |
| 0307 | Shield alu pianoblack | AL | | | X | |
| 0310 | Outlet gate handle gold | Metal | | | | |
| 0320 | Steam print | Electronic | | | | |
| 0322 | ischarge pipe chromium plated | High-grade steel or messing | | | | |
| 0323 | Steam pcb cover | Plastic | | | | |
| 0324 | Touchscreen cpl. | Electronic | | | | |
| 0325 | Guide for outlet gate | ABS | | | | |
| 0326 | O-ring epdm 6x1.2 70sh black | EPDM | | | | |
| 0328 | Lamp grey | Electronic | | | | |
| 0329 | Lamp white | Electro | | | | |
| 0332 | Front cover F90 | Plastic | | | | |
| 0334 | Knob gold cpl. | Plastic | | | | |
| 0379 | Cable housing nature | PP | | | | |
| 0391 | Shield alu chromium right | AL | | | | |
| 0392 | Shield alu chromium left | AL | | | | |

(4) Printed power circuit board

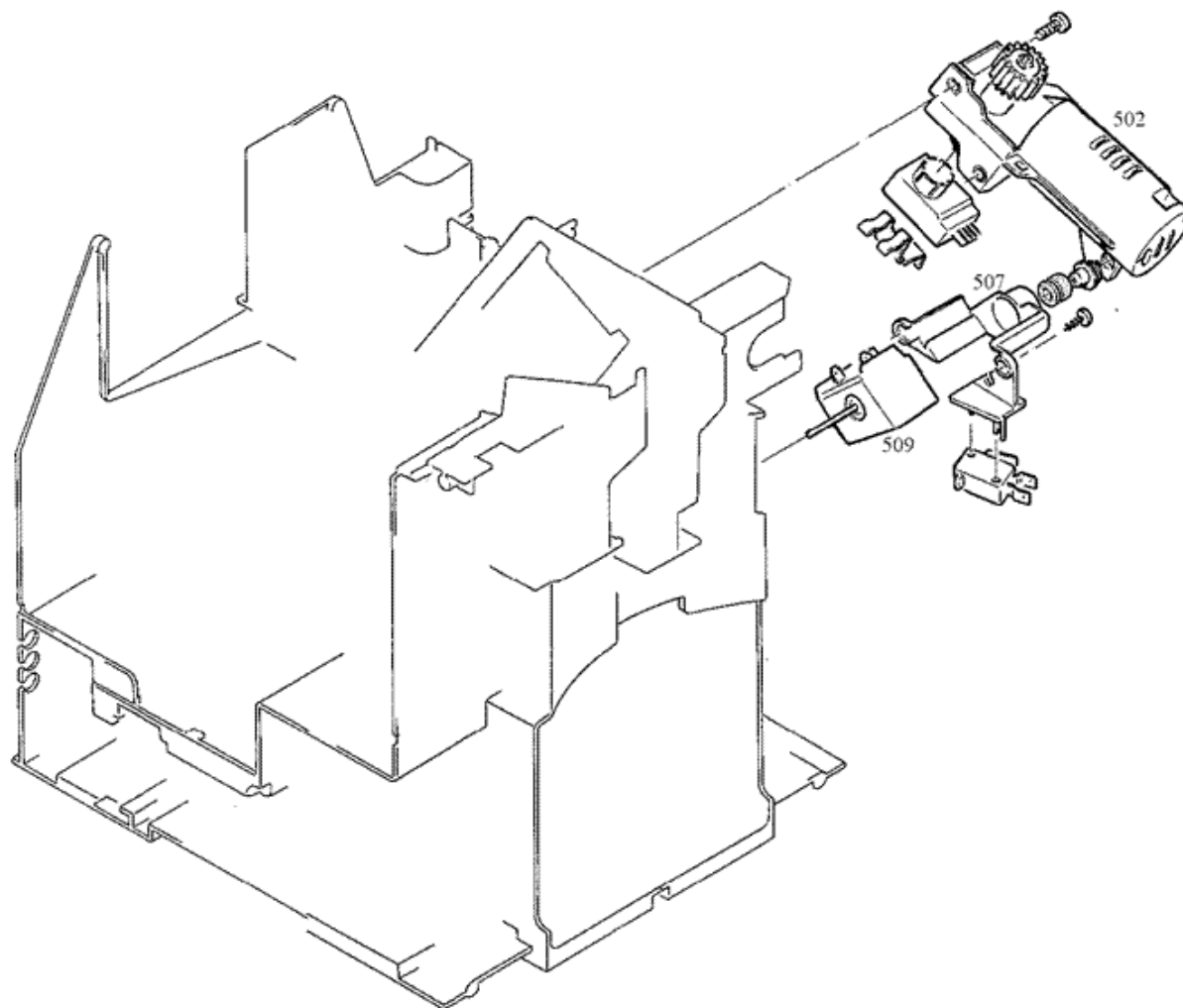
S13260_04



| Pos | Designation | Material | Disassembly | Disposal | Variation | Return |
|------|--------------------------------|--------------|-------------|----------|-----------|--------|
| 0401 | Incoming feeder complete black | Copper / Gum | | | | |
| 0403 | Transformer 120V UL | Electro | | | x | |
| 0403 | Transformer 230V | Electro | | | x | |
| 0404 | Interference eliminator | Electro | | | | |
| 0407 | Cable housing | Plastic | | | | |
| 0409 | Power pcb 120/V3/RoHS | Electronic | | | x | |
| 0409 | Power pcb 230V cpl. | Electronic | | | x | |

(5) Drive

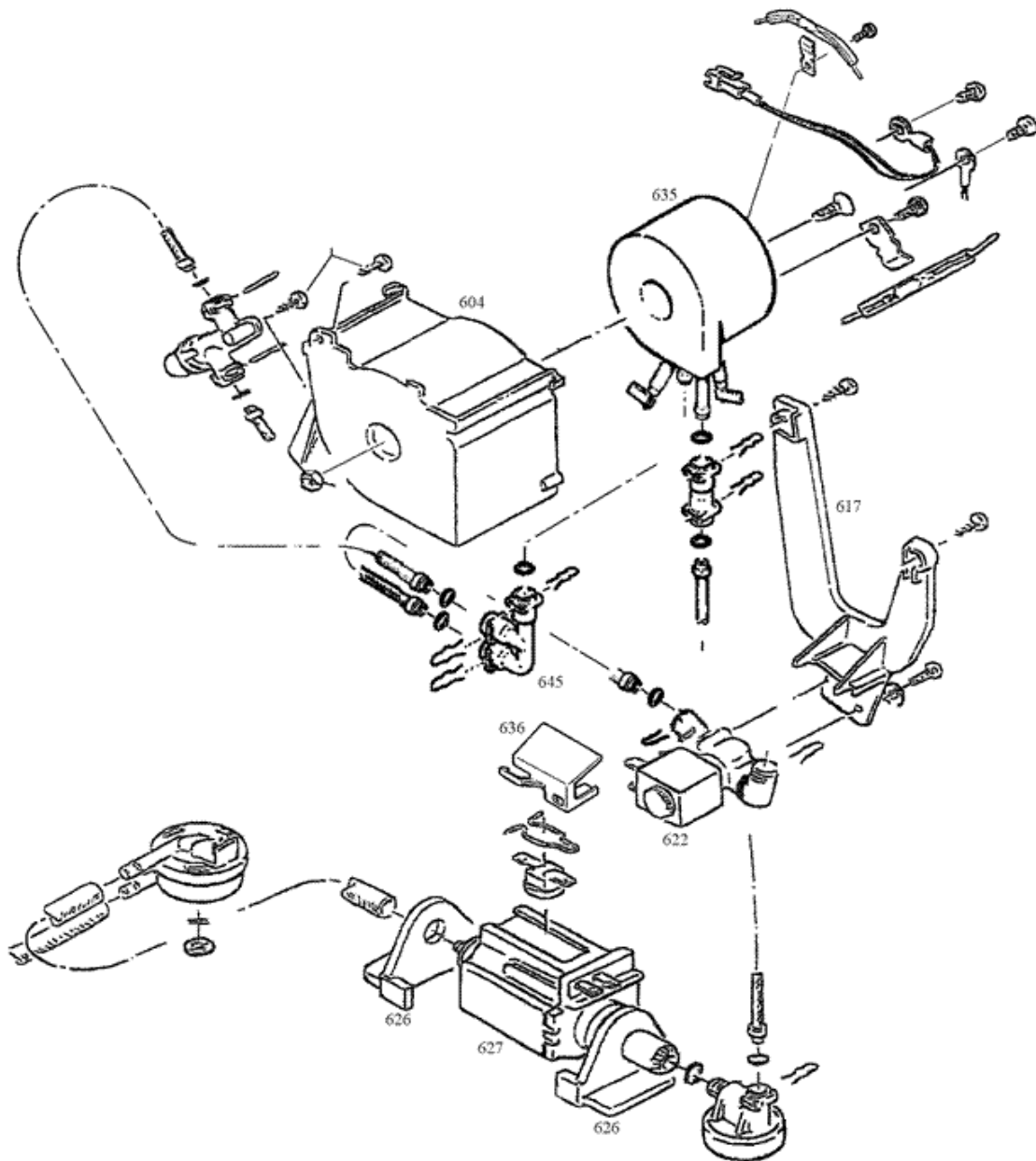
S13260_05



| Pos | Designation | Material | Disassembly | Disposal | Variation | Return |
|------|-----------------------------------|-----------------------------|-------------|----------|-----------|--------|
| 0502 | Geared motor E30 ass. RoHS | Motor / PPO | | | | |
| 0507 | Drainage valve support | ABS | | | | |
| 0509 | Magnet drainage valve IEC 230V | Copper / Steel / Plastic | | | | |

(6) Heater

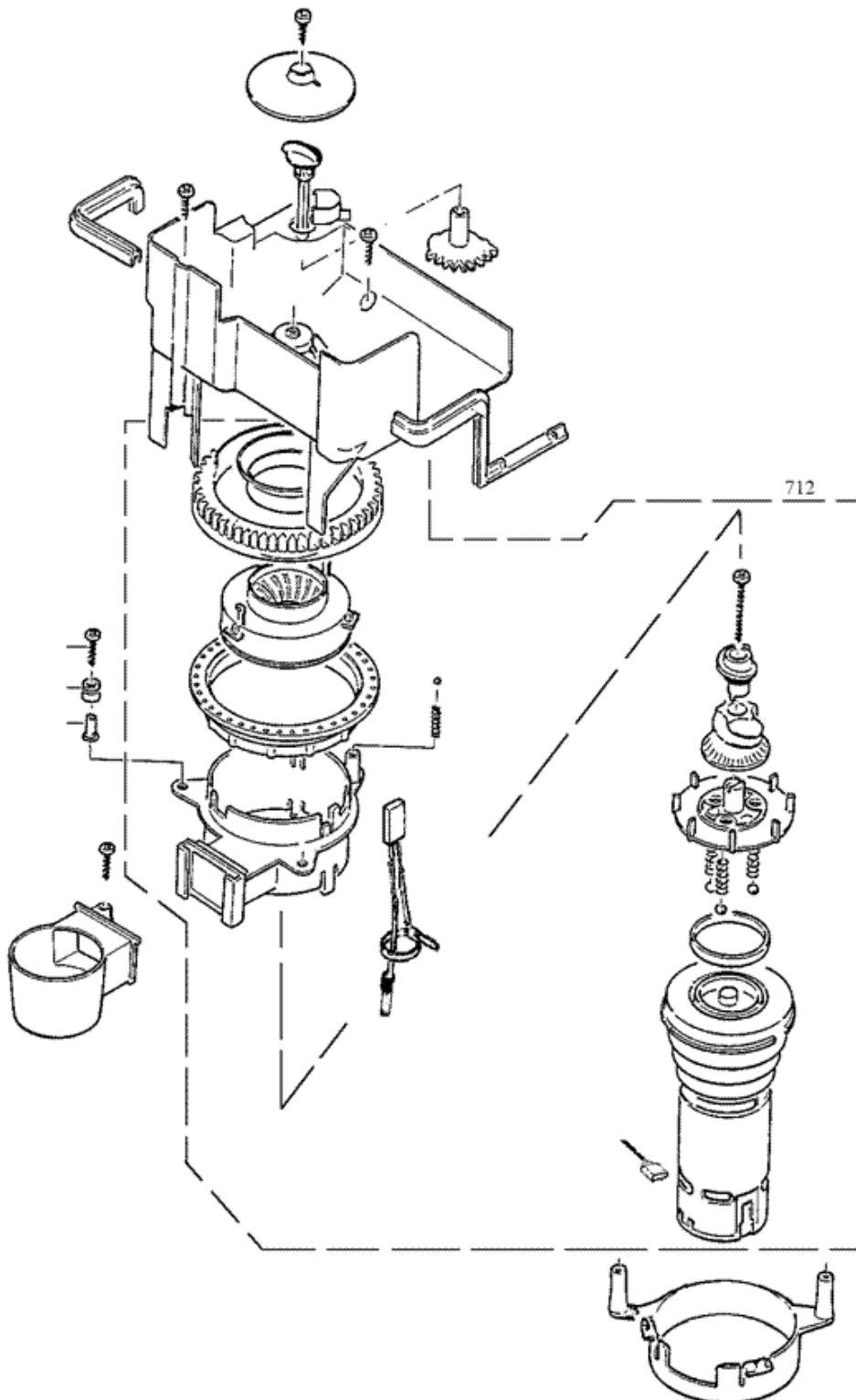
S13260_06



| Pos | Designation | Material | Disassembly | Disposal | Variation | Return |
|------|--------------------------------|-----------------------|-------------|----------|-----------|--------|
| 0604 | Heating support thermoblock | PA | | | | |
| 0617 | Magnetic valve support | Plastic | | | | |
| 0622 | Magnetic valve 120V | Electro | | | X | |
| 0622 | Valve 220-230V/50-60Hz | Electro | | | X | |
| 0626 | Pump carrier version 2 | Gum | | | | |
| 0627 | Pump cp3a 120v/60hz | Electro | | | X | |
| 0627 | Pump cp3a/st 230v 50hz 65w | Electro | | | X | |
| 0635 | Thermoblock sold. nipple 120V | AL / High-grade steel | | | X | |
| 0635 | T-Block sold. nipp. 230V/1400W | AL / High-grade steel | | | X | |
| 0636 | Cover black | ABS | | | | |
| 0645 | Connection | PPS | | | X | |
| 0645 | Connecting angle | Metal | | | X | |

(7) Grinder

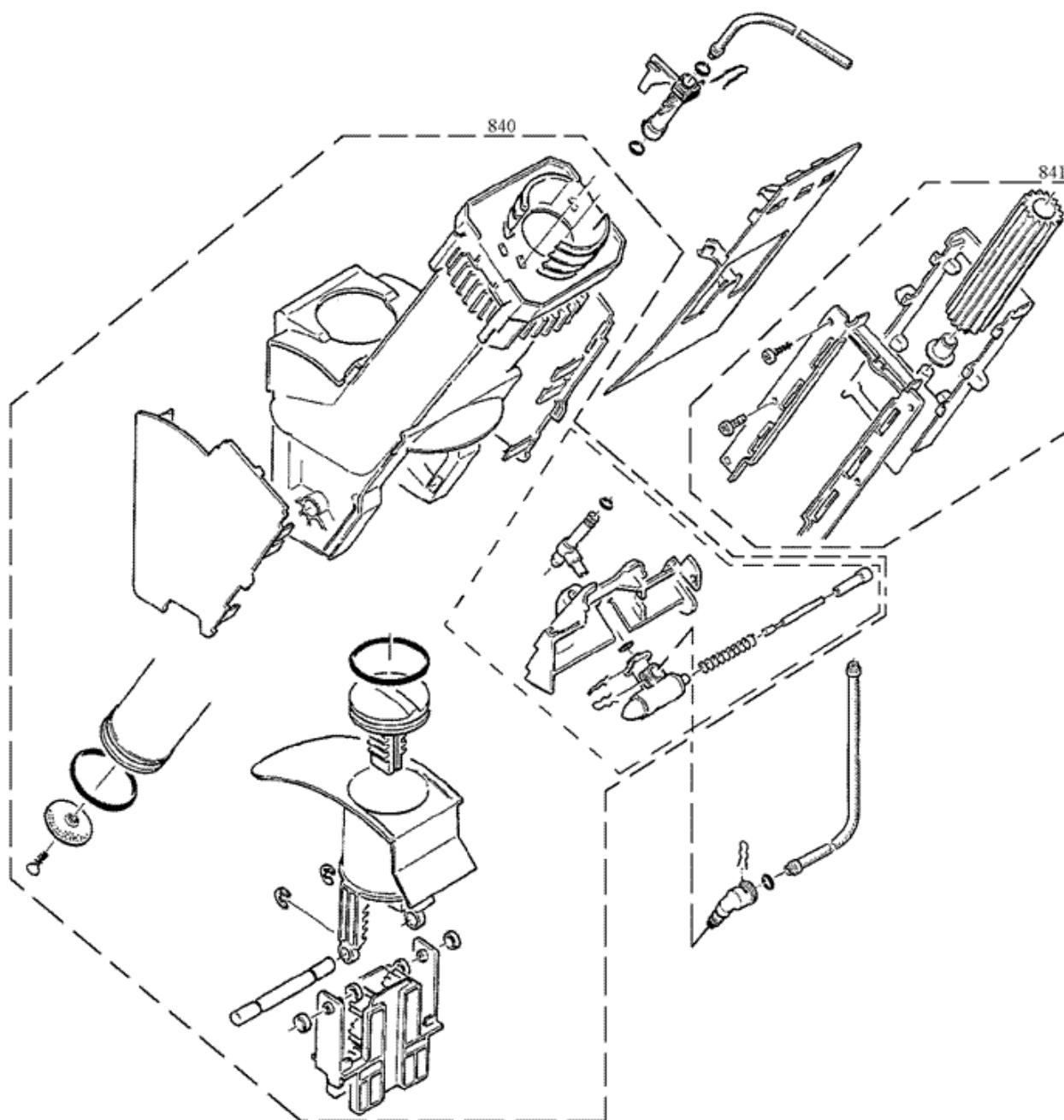
S13260_07



| Pos | Designation | Material | Disassembly | Disposal | Variation | Return |
|------|---------------------------------|-----------------------------------|-------------|----------|-----------|--------|
| 0712 | Grinder unit V2 J. 230V RoHS | Motor / POM / PA / ABS / Steel | | | x | |
| 0712 | Grinder unit 120V V6 | Motor / POM / PA / ABS / Steel | | | x | |

(8) Brew unit

S13260_08



| Pos | Designation | Material | Disassembly | Disposal | Variation | Return |
|------|---------------------|------------------|-------------|----------|-----------|--------|
| 0840 | Brew unit universal | POM / PA / Steel | | | | |
| 0841 | Guide 114mm | AL / POM | | | | |