

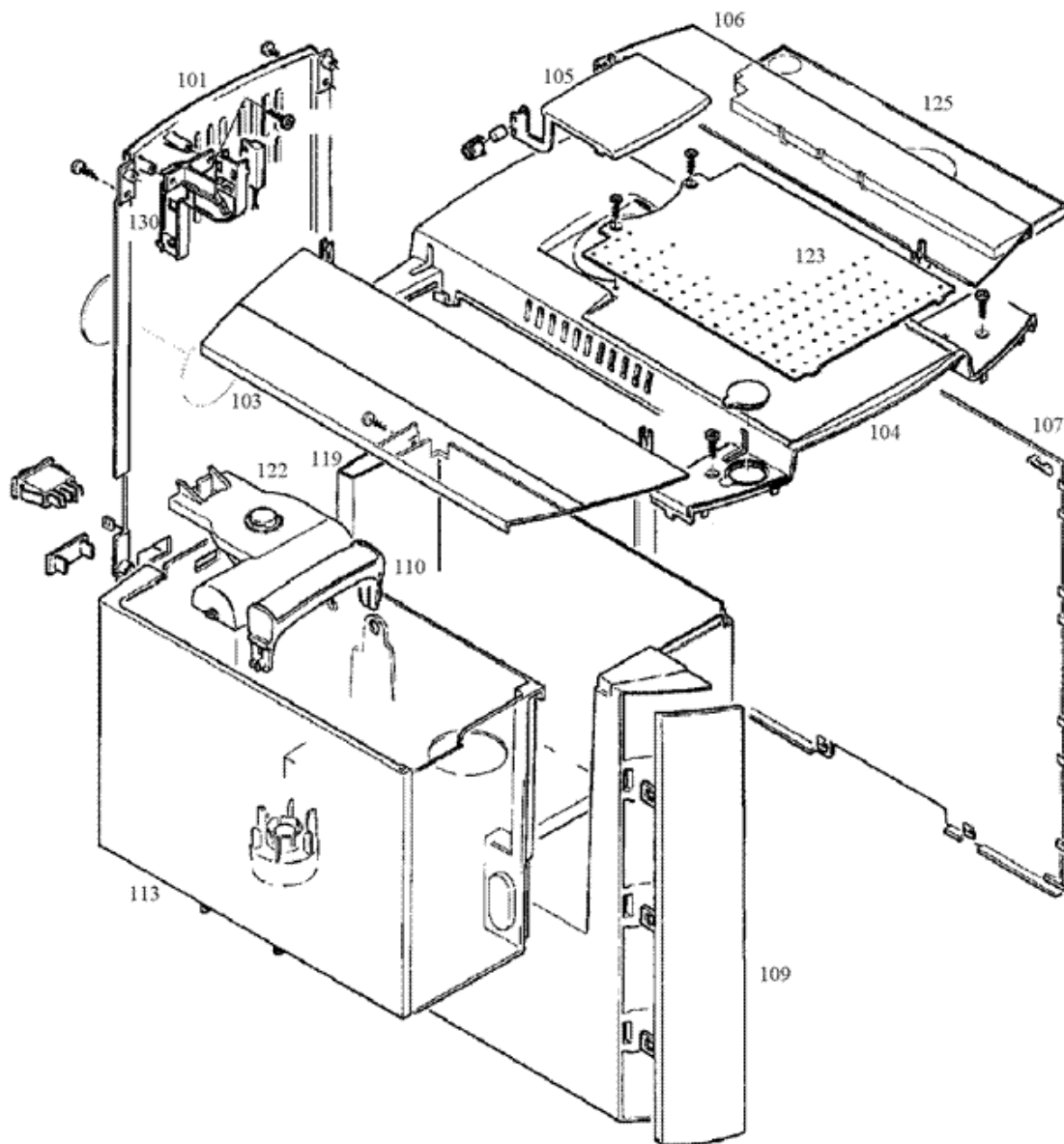
The recycling passport is valid for the following articles:

13266	Impresa XF50 black (CH)
13267	Impresa XF50 black (EU)
13294	Impresa XF50 black (UL)
13300	Impresa F60 black (UL/JC)
13327	Impresa XF50 black
13364	Impresa XF50 black (CH)
13365	Impresa XF50 black (EU)
13434	Impresa XF50 black
13589	Impresa XF50 black (CCC)

The Variant designations mean:

(1) Case components and water tank

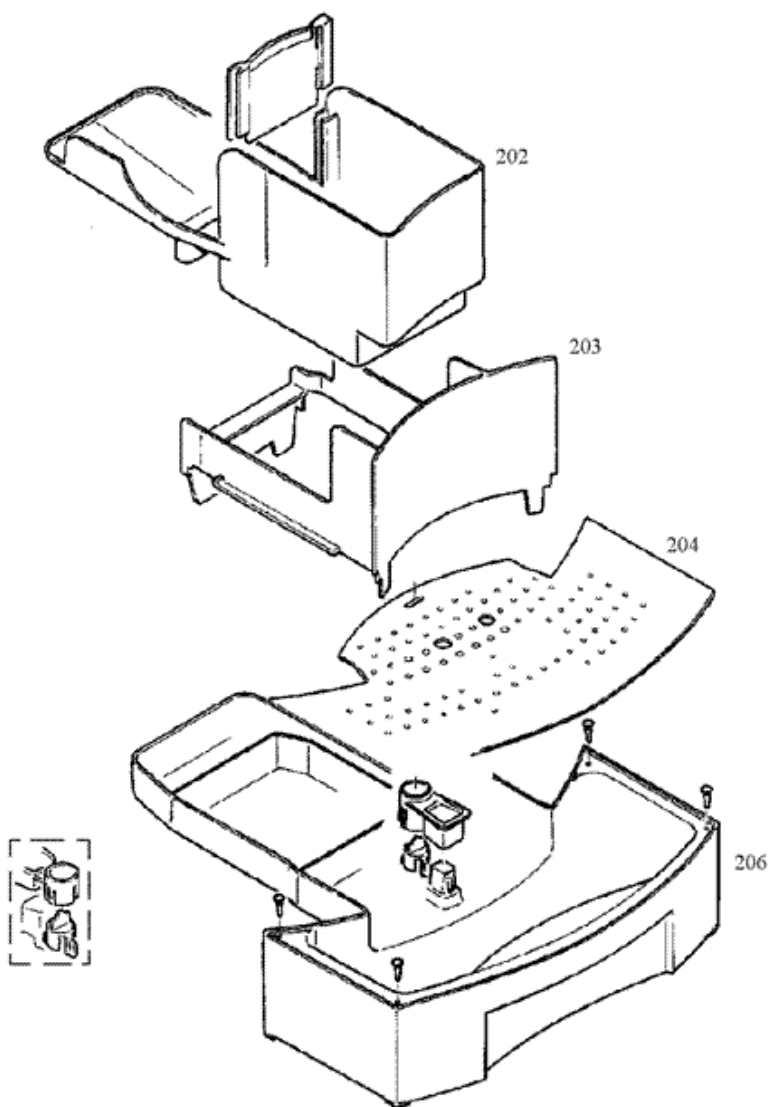
S13266\_01



Pos	Designation	Material	Disassembly	Disposal	Variation	Return
0101	Back black	Plastic				
0103	Tank lid black	ABS				
0104	Cover housing black	ABS				
0105	Powder funnel lid black	Plastic				
0106	Bean container lid black	ABS				
0107	Right side section black	ABS				
0109	Shield alu black left	ABS				
0110	Handle watertank black	PA				
0113	Watertank assembled	Plastic				
0119	Left side section black	ABS				
0122	Bracket	Plastic				
0123	Cup grille inox	High-grade steel				
0125	Lid to preserve aroma	SAN				
0130	Reed sensor fixing plate	ABS				

**(2) Pan**

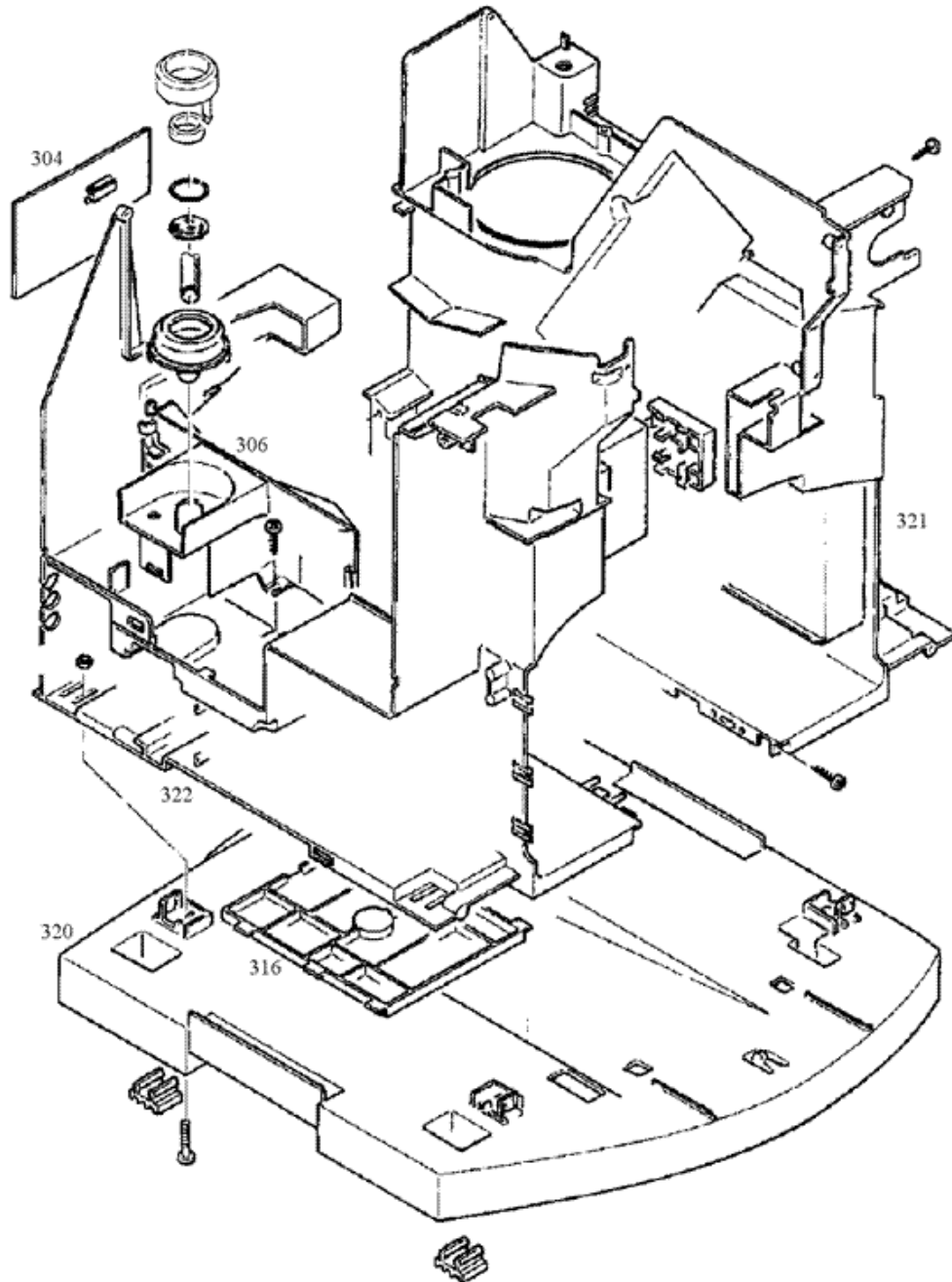
S13266\_02



Pos	Designation	Material	Disassembly	Disposal	Variation	Return
0202	Used ground container with rag	ABS / Rubber				
0203	Used ground pan black	ABS				
0204	cup grille inox	High-grade steel				
0206	Drain pan black	ABS				

**(3) Case components**

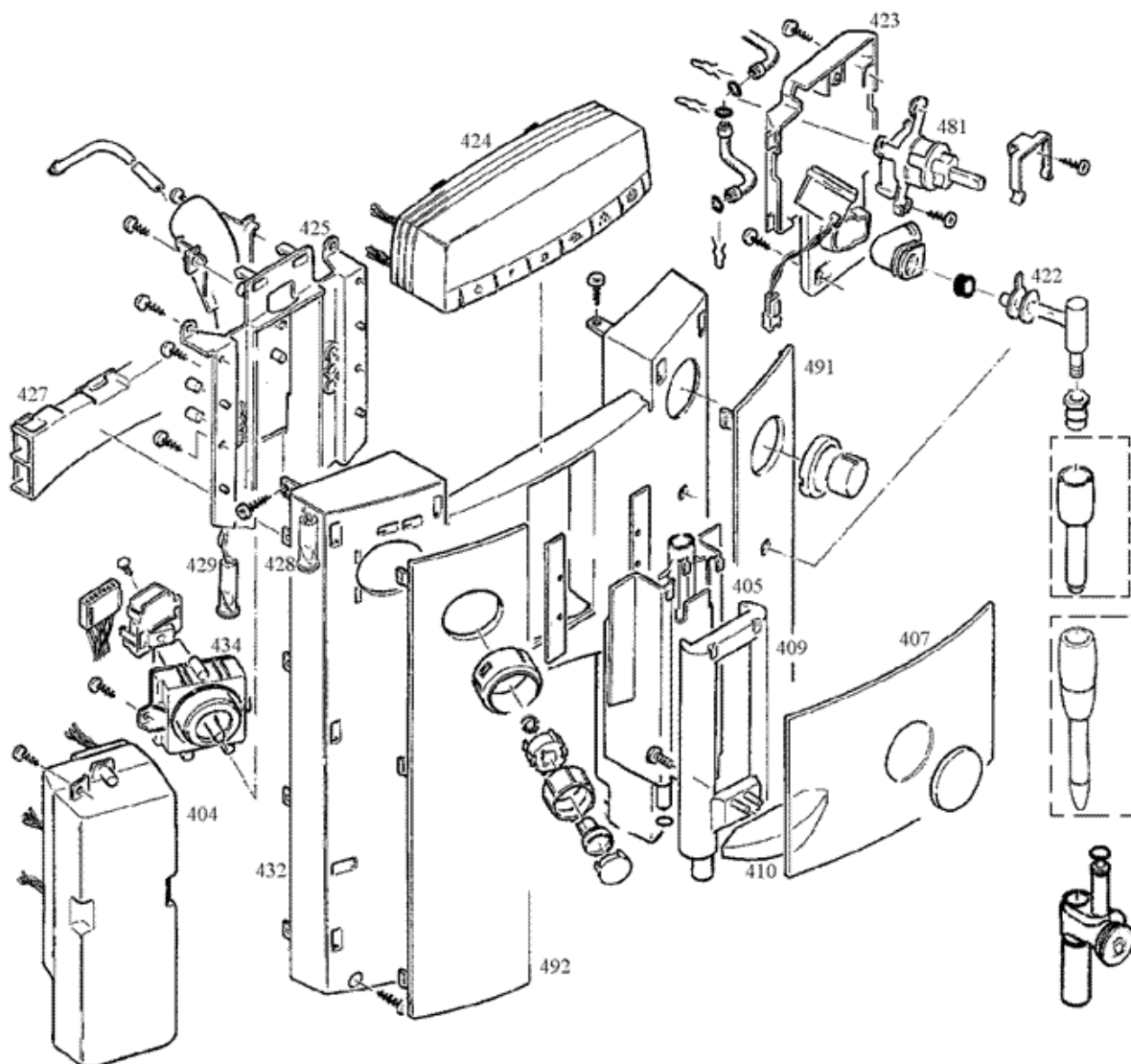
S13266\_03



Pos	Designation	Material	Disassembly	Disposal	Variation	Return
0304	Funnel plate black	PP				
0306	Valve carrier black	ABS				
0316	Cover cable case	ABS				
0320	Base	ABS				
0321	Components support destra	ABS				
0322	Components support V2	ABS				

#### (4) Front cover

S13266\_04

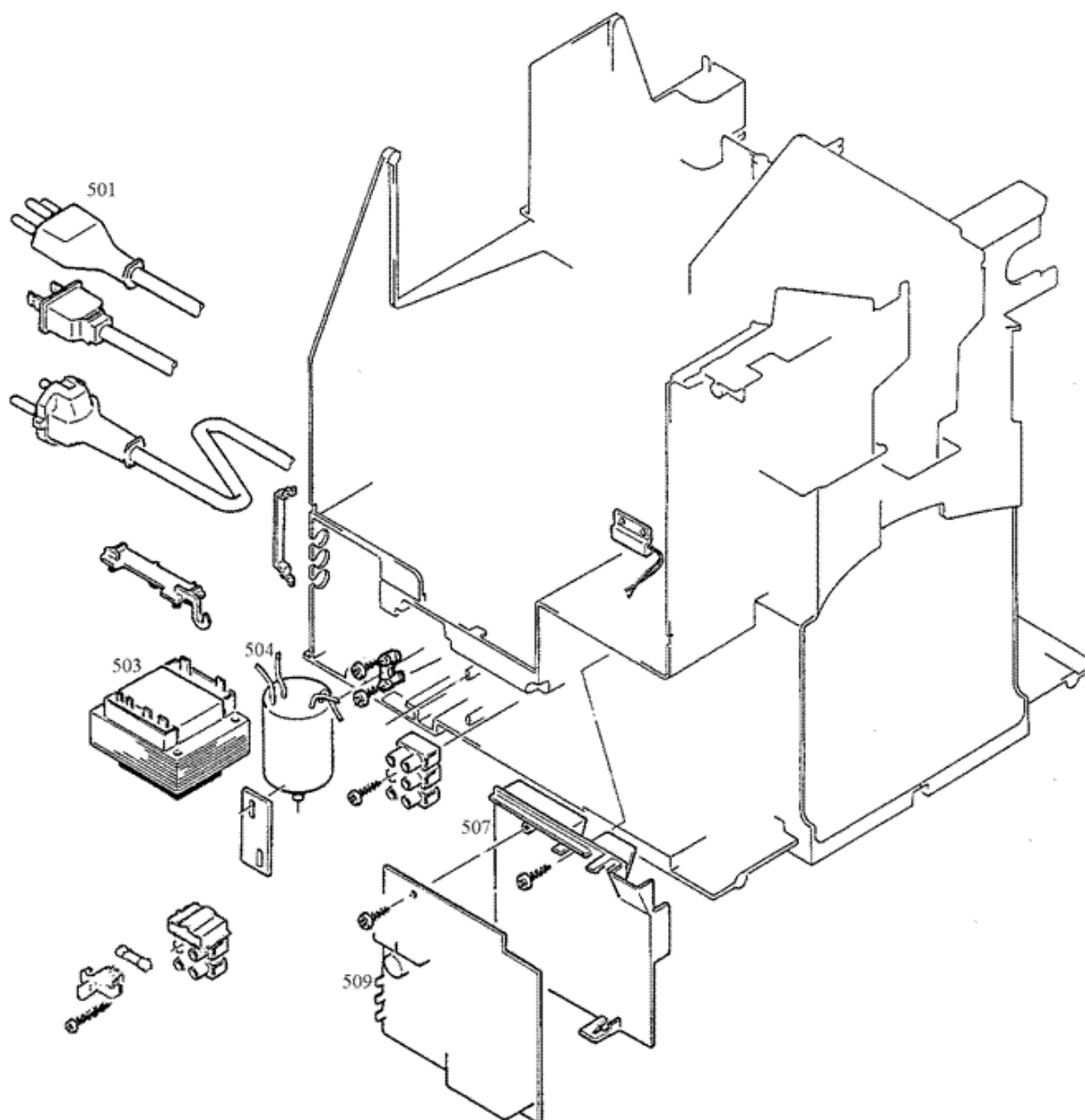




Pos	Designation	Material	Disassembly	Disposal	Variation	Return
0404	Electronic box Mask N	Electronic				
0405	Outlet gate black	ABS				
0407	Front shield black	ABS				
0409	Sleeve	ZN				
0410	Outlet gate handle	ZN				
0422	ischarge pipe chromium plated	High-grade steel or messing				
0423	Mounting plate	ABS				
0424	Display V2 RoHS	Electronic				
0425	Guide for outlet gate	ABS				
0427	Cable housing nature	PP				
0428	Lamp grey	Electronic				
0429	Lamp blue	Electronic				
0432	Front profile black	ABS				
0434	Rotarybox V2 RoHS	Electronic				
0481	Steam valve assembled V2	Plastic / Ceramic				
0491	Front shield black right	Plastic				
0492	Front shield black left	Plastic				

### (5) Printed power circuit board

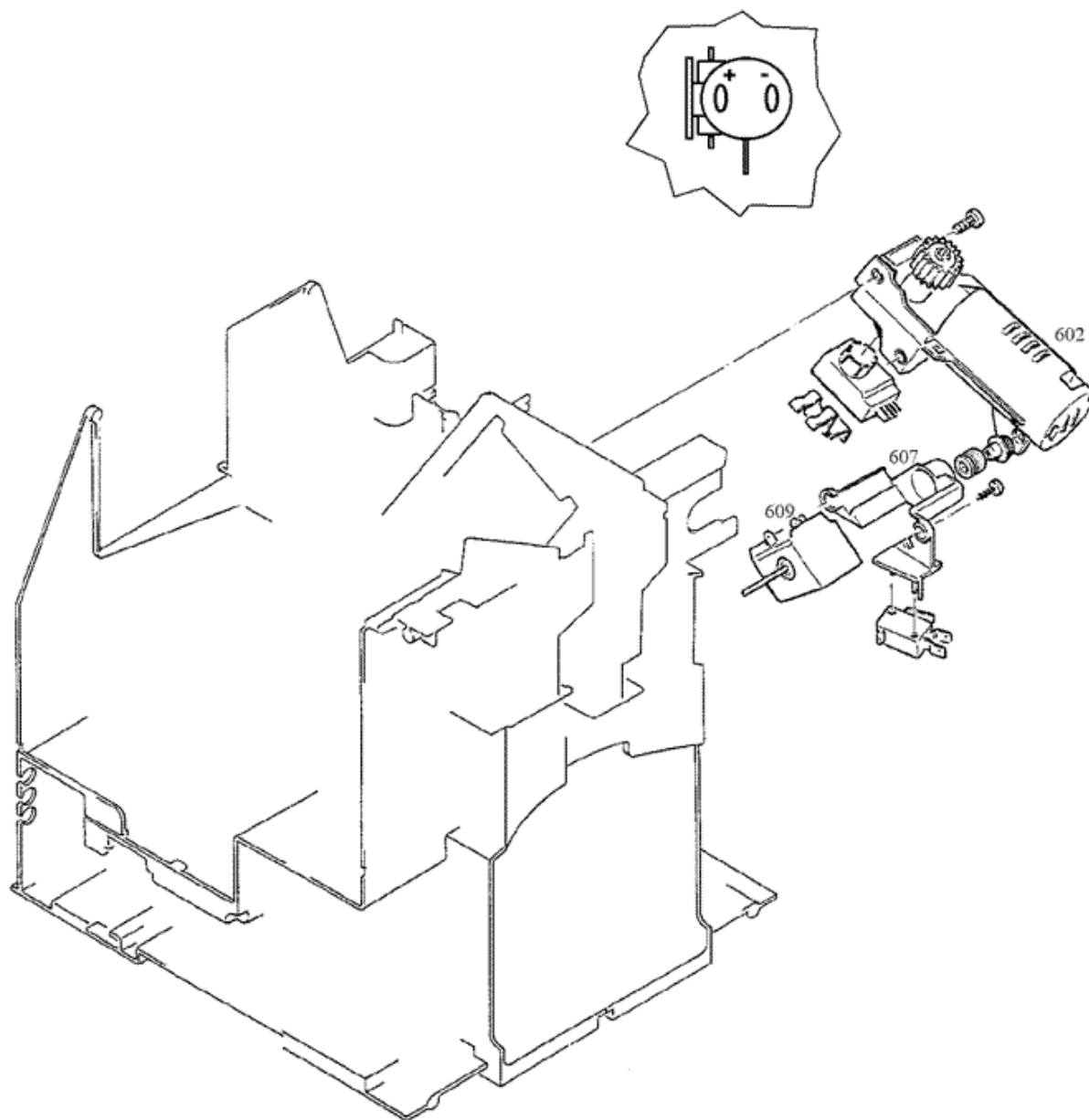
S13266\_05



Pos	Designation	Material	Disassembly	Disposal	Variation	Return
0501	Incoming feeder sw RoHS	Copper / Gum				
0503	Transformer 230V	Electro				
0504	Interference eliminator	Electro				
0507	Cable housing black	Plastic				
0509	Power pcb 230V V3	Electronic				

## (6) Drive

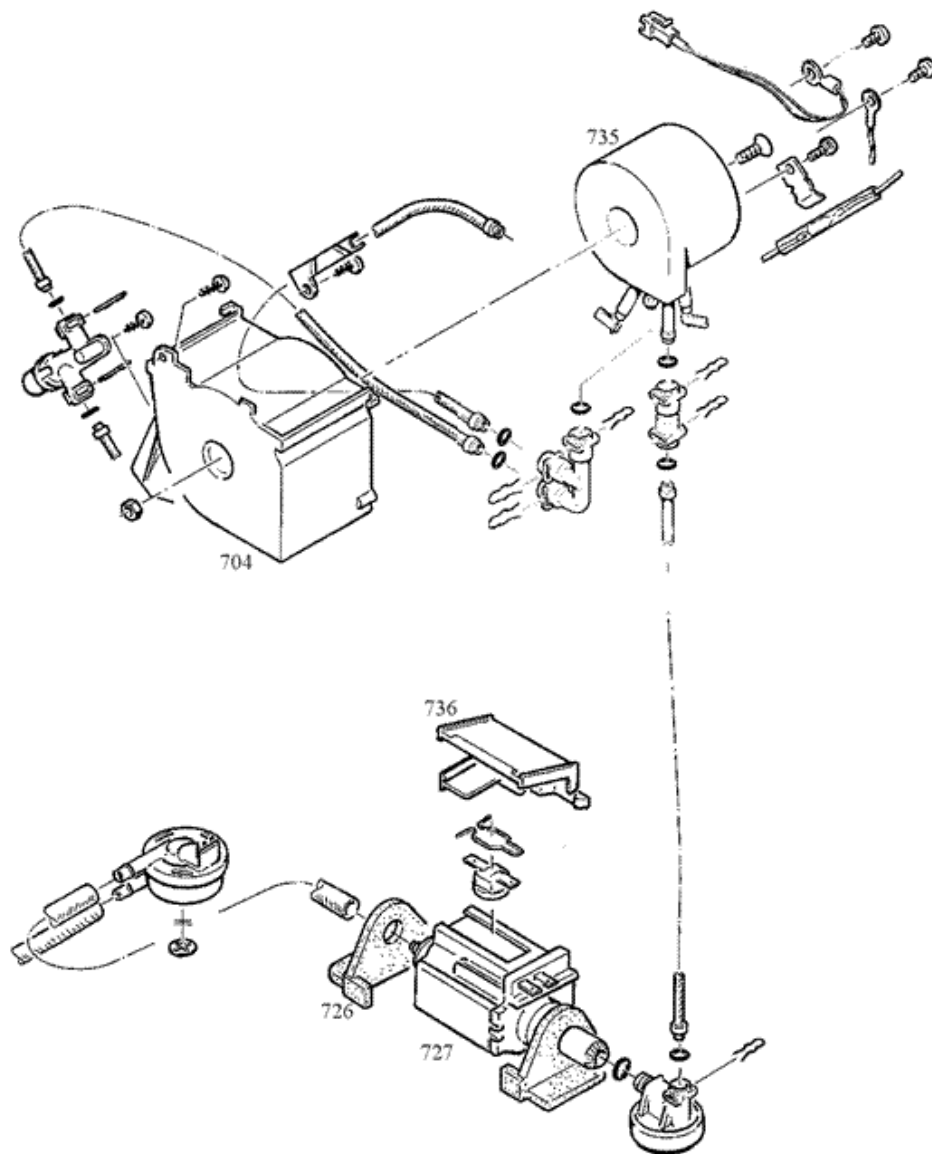
S13266\_06



Pos	Designation	Material	Disassembly	Disposal	Variation	Return
0602	Geared motor E30 ass. RoHS	Electro / PPO				
0607	Drainage valve support	ABS				
0609	Magnet drainage valve IEC 230V	Copper / Steel / Plastic				

**(7) Heater**

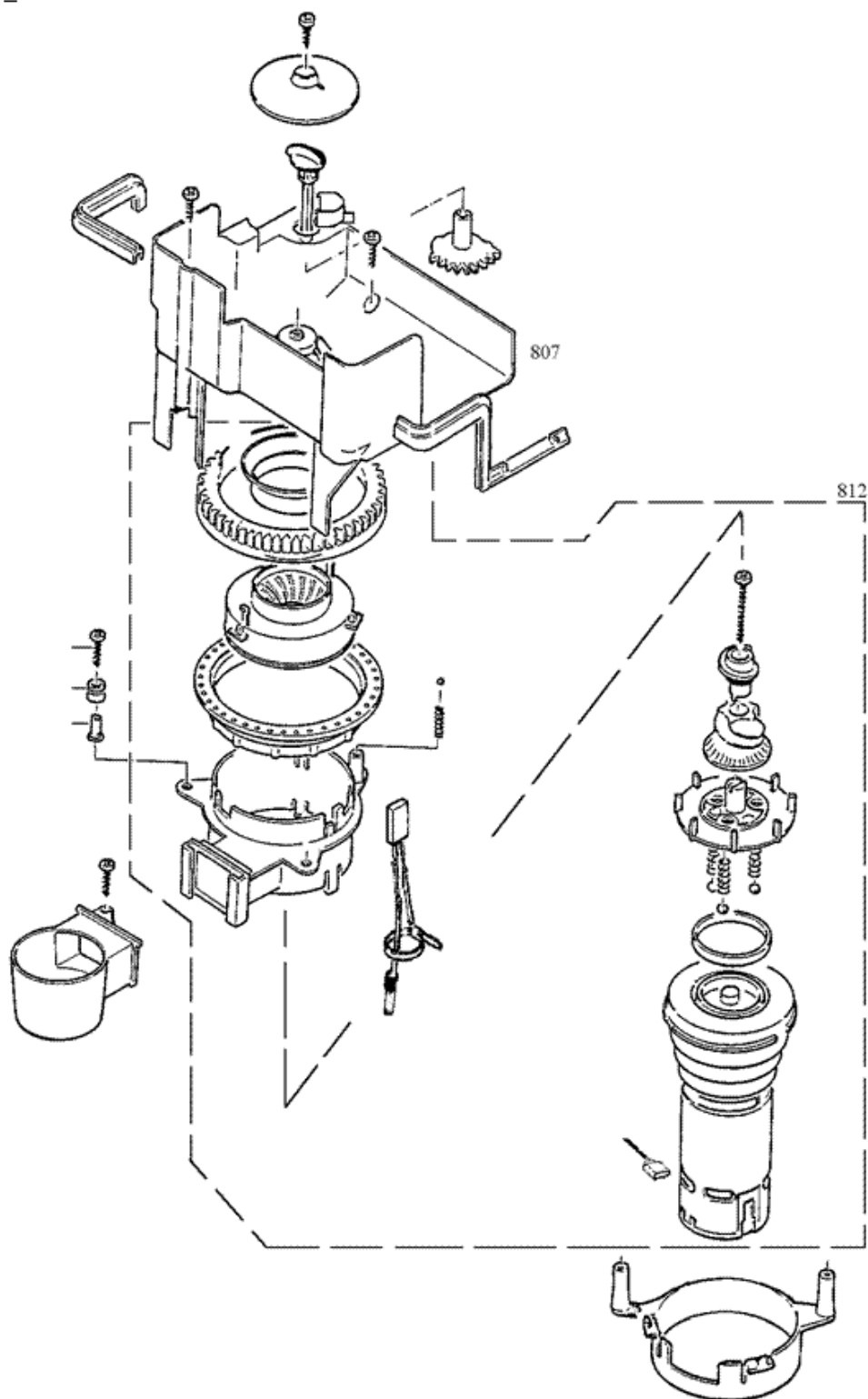
S13266\_07



Pos	Designation	Material	Disassembly	Disposal	Variation	Return
0704	Heating support thermoblock	PA				
0726	Pump carrier version 2	Gum				
0727	Pump 230V/50Hz/60W	Electro				
0735	T-Block sold. nipp. 230V/1400W	AL / High-grade steel				
0736	Cover black	ABS				

**(8) broyeur**

S13266\_08





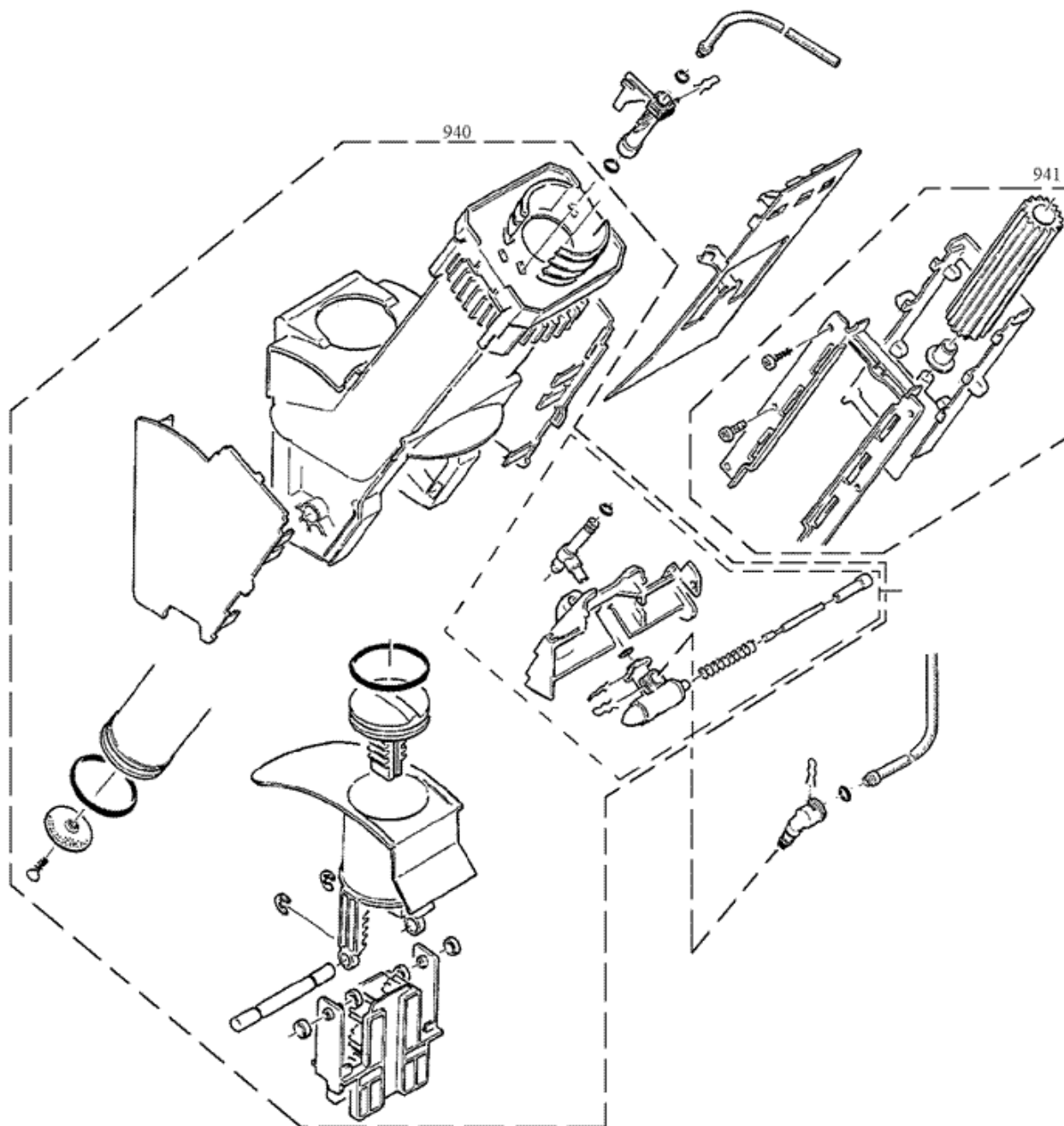
RP13266 Impresa XF50 black (CH)  
Edition: 23/04/09

648

Pos	Designation	Material	Disassembly	Disposal	Variation	Return
0807	Bean container black printed	PP				
0812	Grinder unit V2 J. 230V RoHS	Electro / POM / PA / ABS / Steel				

**(9) Brew unit**

S13266\_09



Pos	Designation	Material	Disassembly	Disposal	Variation	Return
0940	Brew unit universal	ABS / POM / PA / Steel				
0941	Guide 114mm	AL / POM				